

This category of Bale press has stable structure of pressing chamber in which is placed a sliding pressing head. Pressing is realised by hydraulic cylinder with electronic regulation of maximal press power, which ensure long-time reliability within reaching high surface pressure. The waste is loaded from the top. The front door opening and possibility of dumping of the pressed pocket ensure easy taking out of the pressed pocket. It is possible to make 4x strapping by PE tape or wire.

This Bale press is designed to allow the modular increasing of the pressing chamber number, while using one pressing head (increasing of bale capacity within min. cost, possible separation of waste ). The presses of this type are used in supermarkets, junk centre, stocks, factories, and so on.

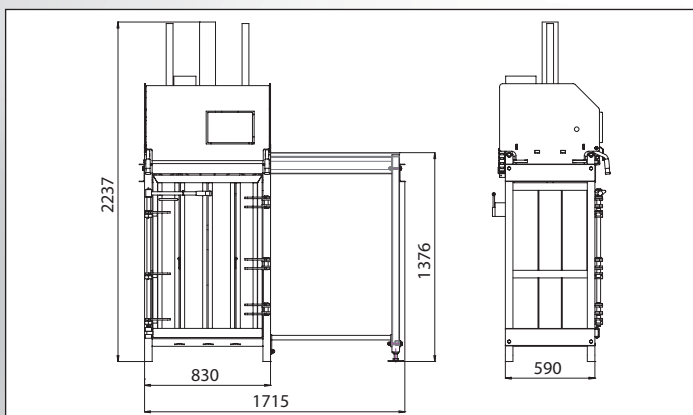
Is **hydraulic** bale press with **pressing power 10 ton**, used in supermarkets, junk centre, stocks, factories, and so on. It is suitable for small, middle and also for big companies..



### Technical Specifications EKOPACK 100

Dimensions of machine (L x W x H)	1730x710x2200 mm
Dimensions of packet (L x W x H)	800 x 600 x (500-700) mm
Weight of packet	Max. 150 kg
<b>Max. pressing power</b>	<b>10 t + 10 %</b>
Surface pressure	208 kPa
Driving motor	1,5 kW / 3 x400 V /50 Hz
Input power/voltage	1,85kW/10A
Elec. protection	IP 54
Time of pressing cycle	20 s.
Weight of the machine	1-650kg/2-920kg

### EKOPACK 100.1



### EKOPACK 100.2

