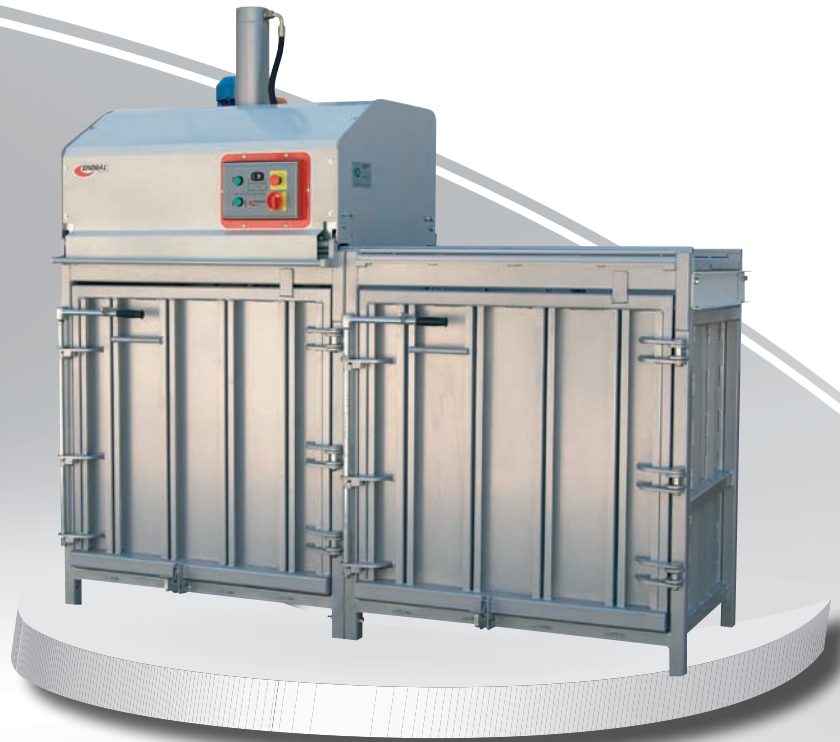


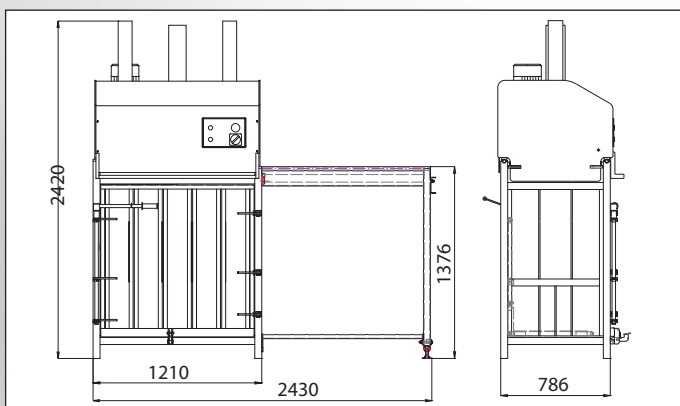
Is hydraulic bale press with pressing power 20 ton, used in supermarkets, junk centre, stocks, factories, and so on. It is suitable for middle and also for big size companies.



Technical Specifications Ekopack 200.1..2

Dimensions of machine (L x W x H)	2370x852x2425 mm
Dimensions of packet (L x W x H)	1100 x 700 x (500–700) mm
Weight of packet	Max. 220 kg
Max. pressing power	20 t + 10 %
Surface pressure	259 kPa
Driving motor	3 kW / 3 x400 V /50 Hz
Input power/voltage	3,6kW/10A
Elec. protection	IP 54
Time of pressing cycle	20 s.
Weight of the machine	1 - 1150kg 2 - 1600kg

EKOPACK 200.1



EKOPACK 200.2

