

I-Class™ Mark II

Replacement Parts Catalog ■ ■ ■



right by our customers. ■ ■ ■



datamax·oneil

Contents

Printer Assemblies

Cover Assembly.....	2
Printer Assembly 1 of 3	3
Printer Assembly 2 of 3	4
Printer Assembly 3 of 3	5
Front Panel Assemblies.....	6
Media Supply Hubs	7
Printhead Assembly	8
Printhead and Cables	9
Hardware and Small Parts.....	10

I-Class Mark II Options

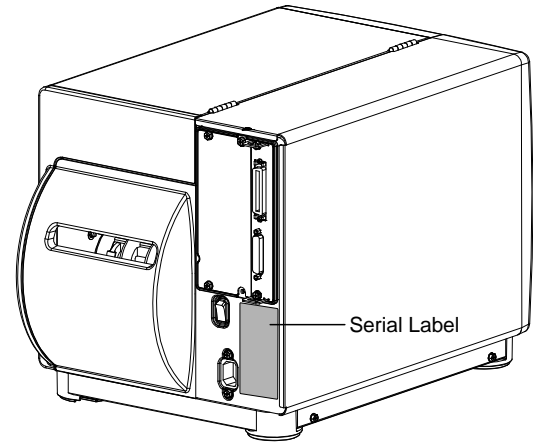
Power Supply and Printer Packaging.....	12
Thermal Transfer Option	13
Internal Rewind Option.....	14
Ethernet Card Options	16
GPIO Card and USB HOST/SDIO Options.....	16
Cutter Option	17
Supply Hub Media Retainer	17

Using this Manual

Before using this manual it is important to identify the model printer you are locating parts for. Many parts are used across all models, yet some are specific to certain models. The model of printer is located on the serial label on the rear of the printer.

This manual covers the following I-Class Mark II models:

I-4212e, I-4310e, and I-4606e



For more information on ordering please contact:

Datamax-O'Neil Customer Care
407-523-5550
customercare@datamax-oneil.com

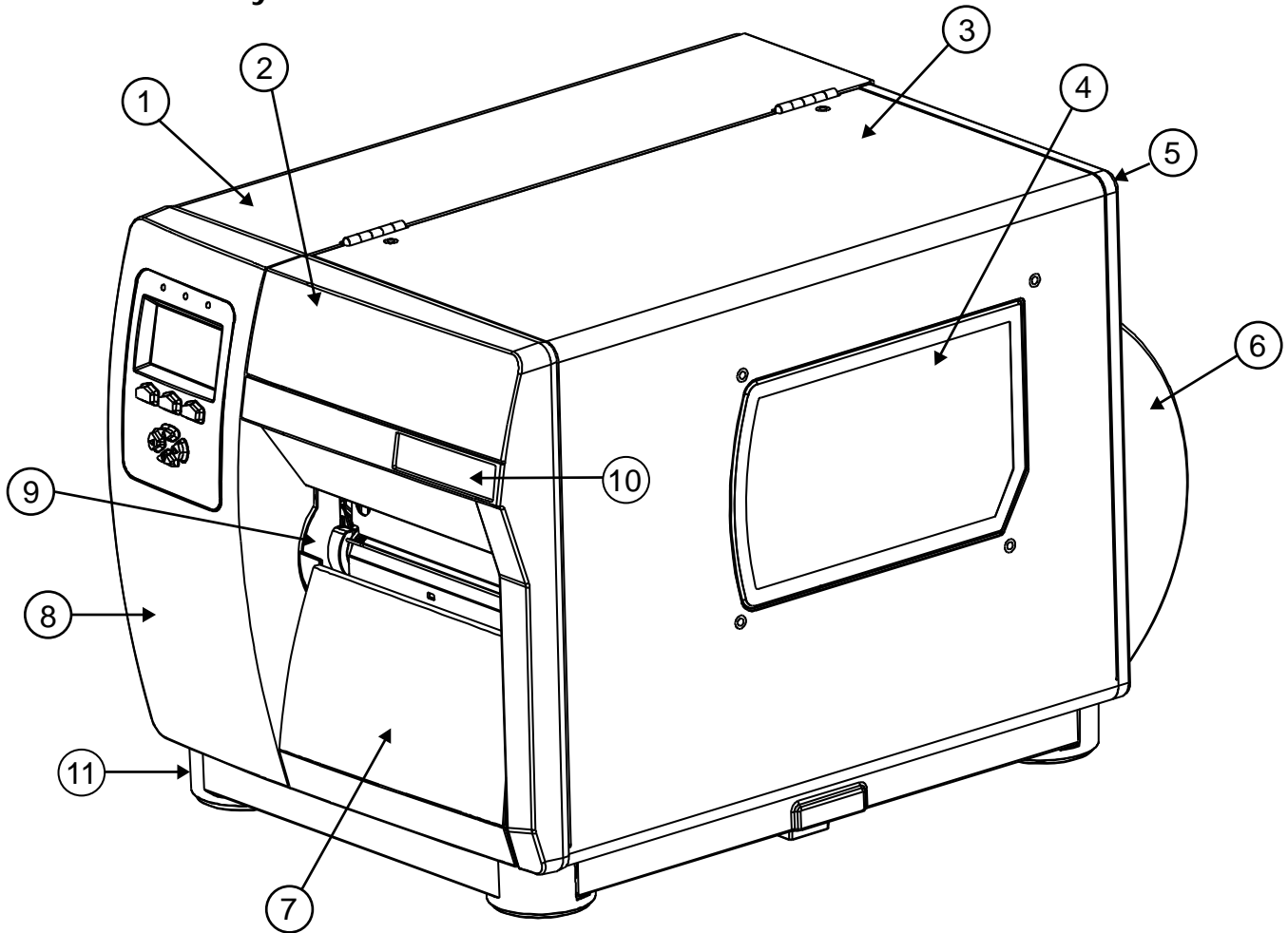
Revision Listing

Date	Rev.	Changes
2/1/11	A	Initial Release
6/1/12	B	Added: DPR12-3341-01 (2PK) Guide, Media Sensor
12/1/12	C	Added: DPO16-2527-01 Supply, Media Retainer DPR78-2718-01 Assy, Media Hanger DPR12-3349-01 Baseplate, I-Class DPO17-3221-01 (4PK) Spring, Torsion - Supply Hub

92-2582-01 Rev.C

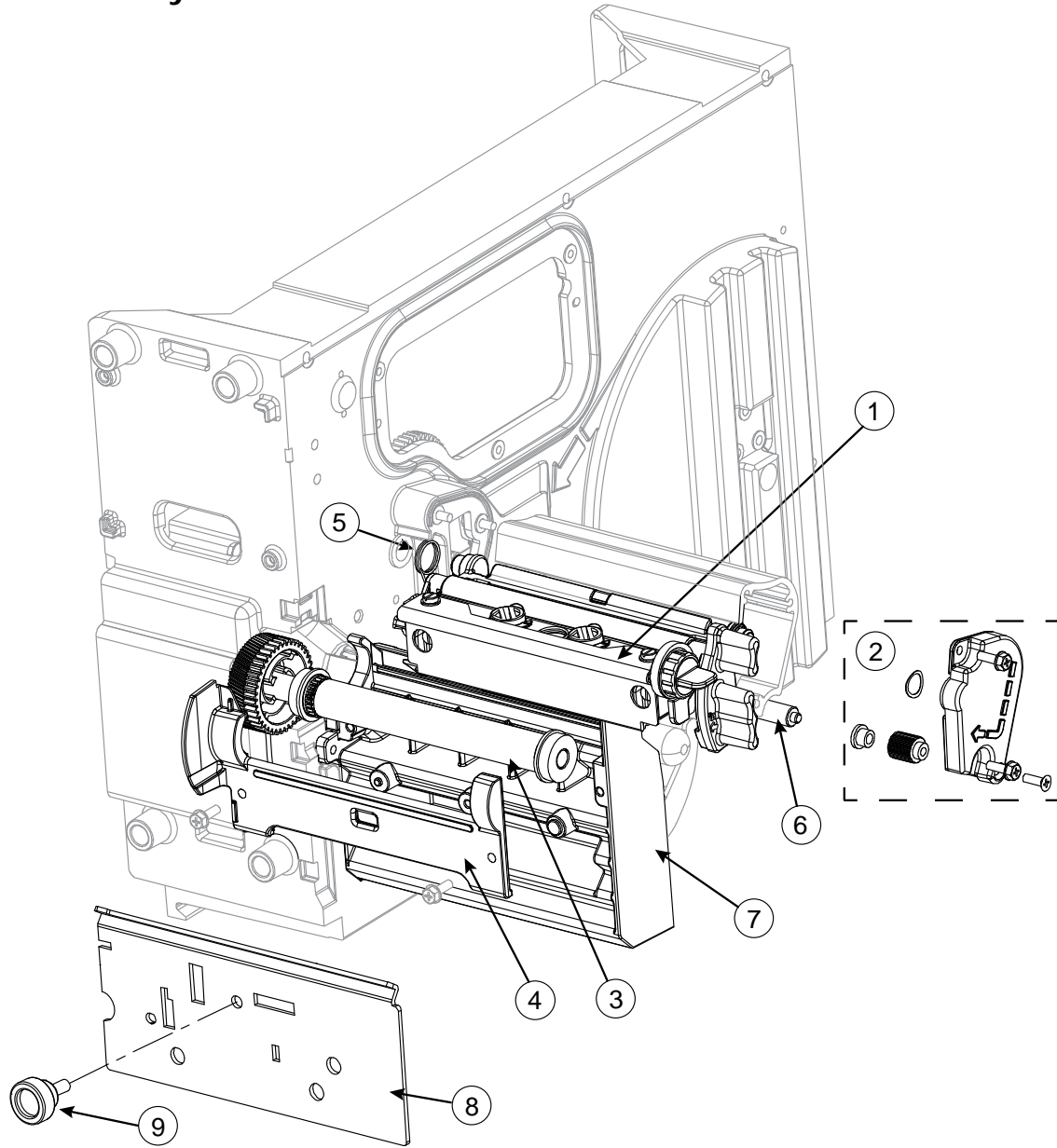
I-Class Mark II Printer Assemblies

Cover Assembly



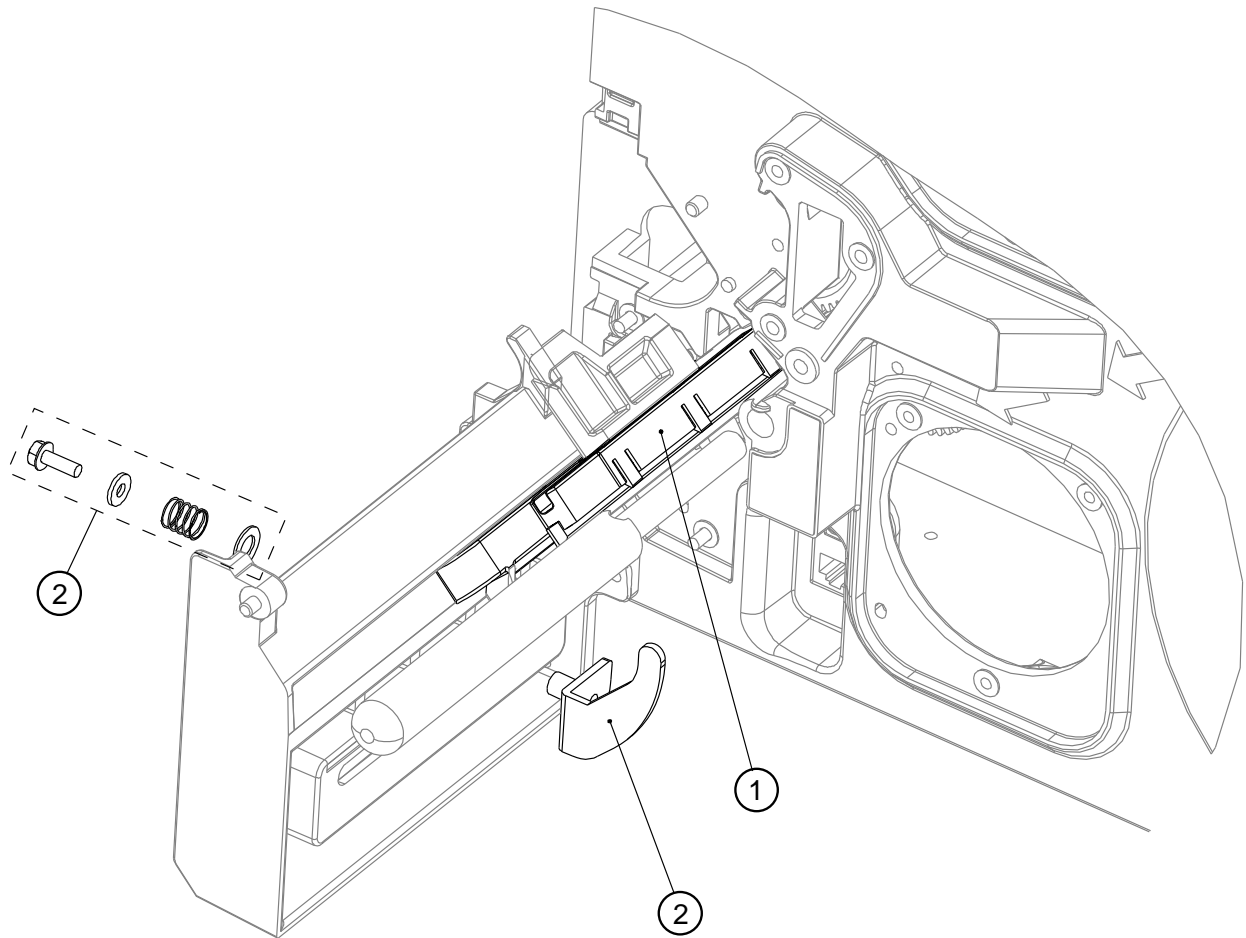
#	Part#	Description	Notes
1	DPR15-3240-01	Cover Assembly, Electronics	
2	DPO16-3312-01	Cover, Media, Front	
3	DPO11-5829-01	Cover, Media, Top	
4	DPO16-3311-01	Window, Media Cover	
5	DPO16-2556-02	Cover, Media, Rear	
6	DPO16-2551-02	Cover, Media Roll	
7	DPO16-3314-01	Cover, Filler Block	
8	DPR16-3313-01	Cover, Front Panel	
9	DPR16-2581-02	Cover, Sensor	
10	DPO14-3016-01	(2PK) D-O IM2 Nameplate	
11	DPR12-3349-01	Baseplate, I-Class	

Printer Assembly 1 of 3



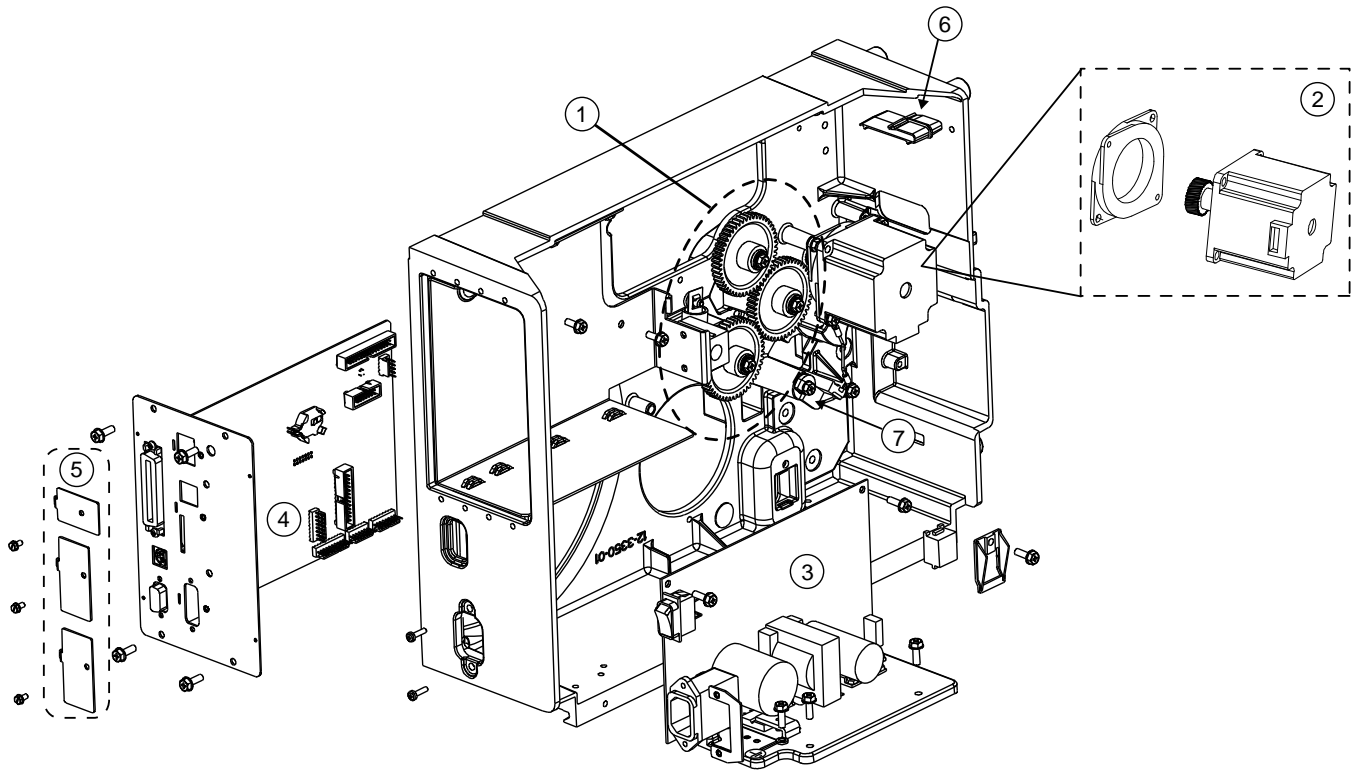
#	Part#	Description	Notes
1	DPR15-3051-01	Assy, Printhead Carriage	<i>Printhead not included</i>
2	DPR78-2770-01	Kit, Ribbon Idler Bushing Retainer	
3	ROL15-2761-04	Kit, Platen Roller	
4	DPO12-2896-01	Bracket, Retainer, Platen	
5	DPR17-2836-01	Spring, Head Lift	
6	DPR12-3052-01	(2PK) Shaft, Ribbon Idler	
7	DPO12-2894-01	Block Mtg Platen, Machined	
8	DPO11-5219-01	Tear Bar	
9	DPO17-2858-01	(2PK) Screw, Knurled M4 X10mm	

Printer Assembly 2 of 3



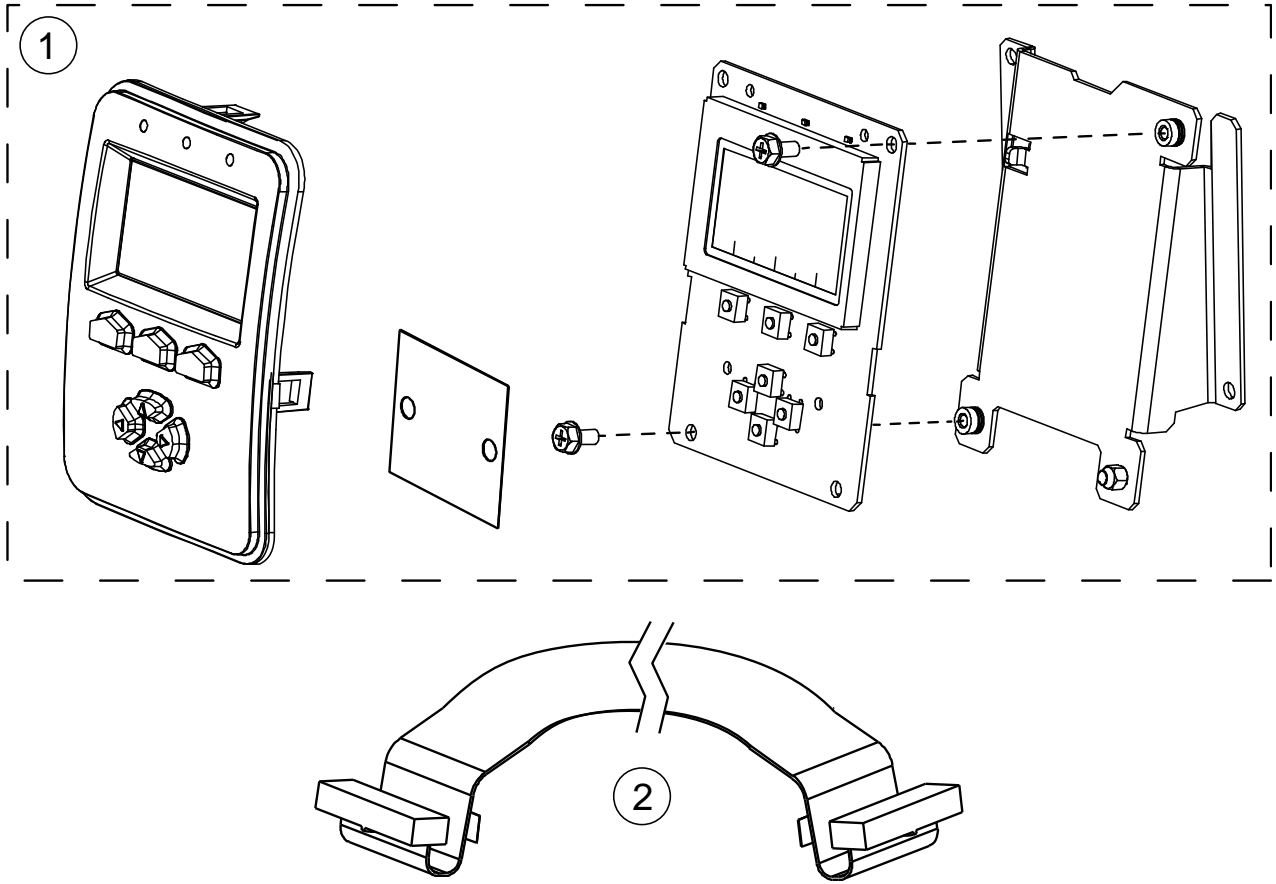
#	Part#	Description	Notes
1	DPR24-2504-01	Assy, Media Sensor	
2	DPO78-2771-01	Kit, Media Guide	
3	DPO32-2440-01	(5PK) Cable, Flex, Media Sensor	<i>Not shown</i>

Printer Assembly 3 of 3



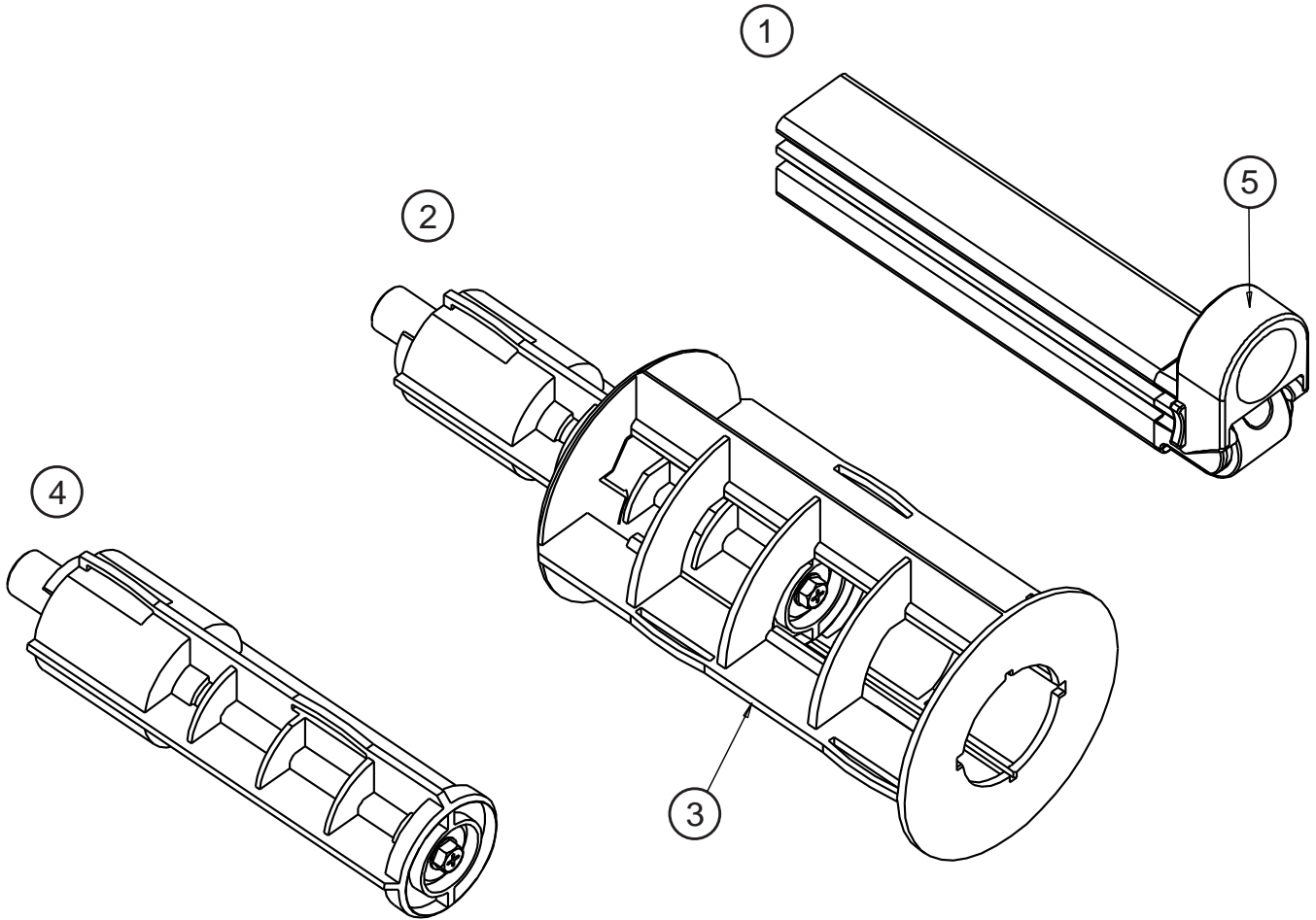
#	Part#	Description	Notes
1	DPR78-2772-01	Kit, Drive Gear	<i>Gears only</i>
2	DPR78-2773-04	Kit, Stepper Motor	
3	DPR51-2308-00	Power Supply	
4	DPR51-2480-00	Board, Main, I-Class M2	
5	DPO78-2901-01	Cover Plate Kit	
6	DPR16-3093-01	Cable Clamp, Flat	
7	DPR12-3341-01	(2PK) Guide, Media Sensor	

Front Panel Assemblies



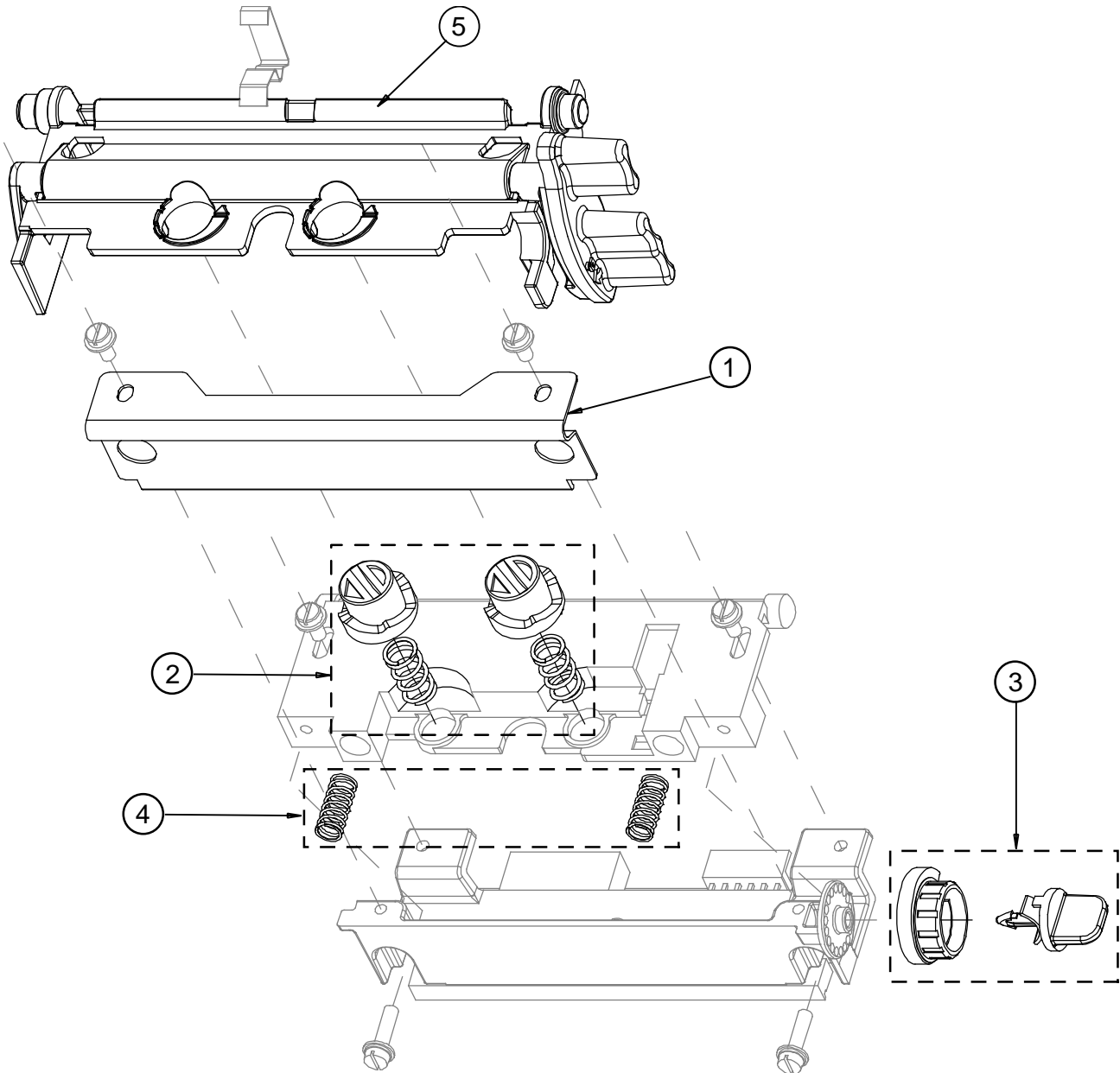
#	Part#	Description	Notes
1	DPR78-2902-01	Kit, Display Board and Bezel	
2	DPR32-2674-01	Cable, Front Panel	

Media Supply Hubs



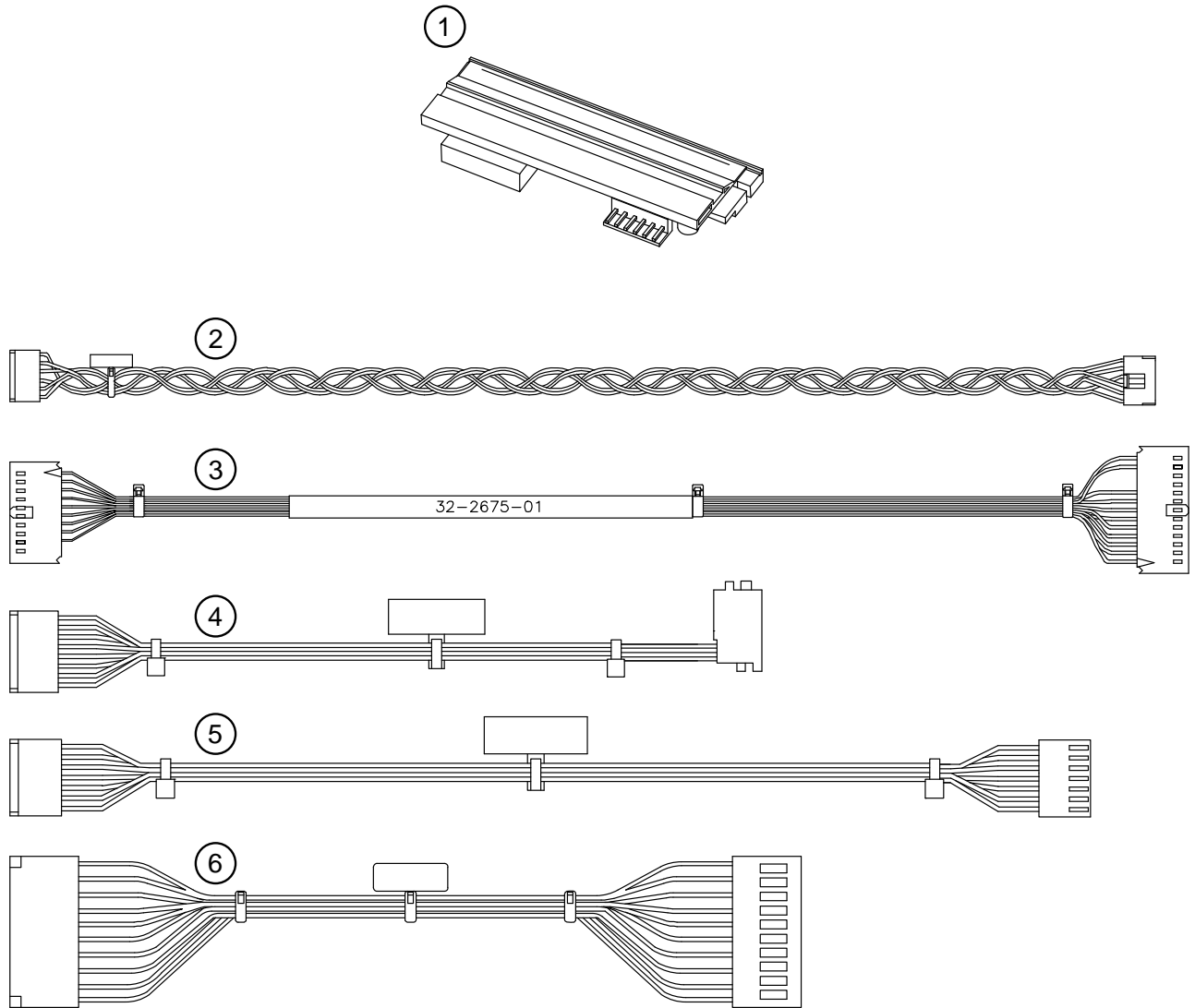
#	Part#	Description	Notes
1	DPR78-2718-01	Assy, Media Hanger	
2	DPR78-2330-01	Assy, 3"/1.5" Media Supply Hub	
3	DPO16-2627-01	Adapter, Hub 3"	
4	DPO78-2367-01	Assy, 40mm Media Supply Hub	
5	DPO16-2527-01	Supply, Media Retainer	

Printhead Assembly



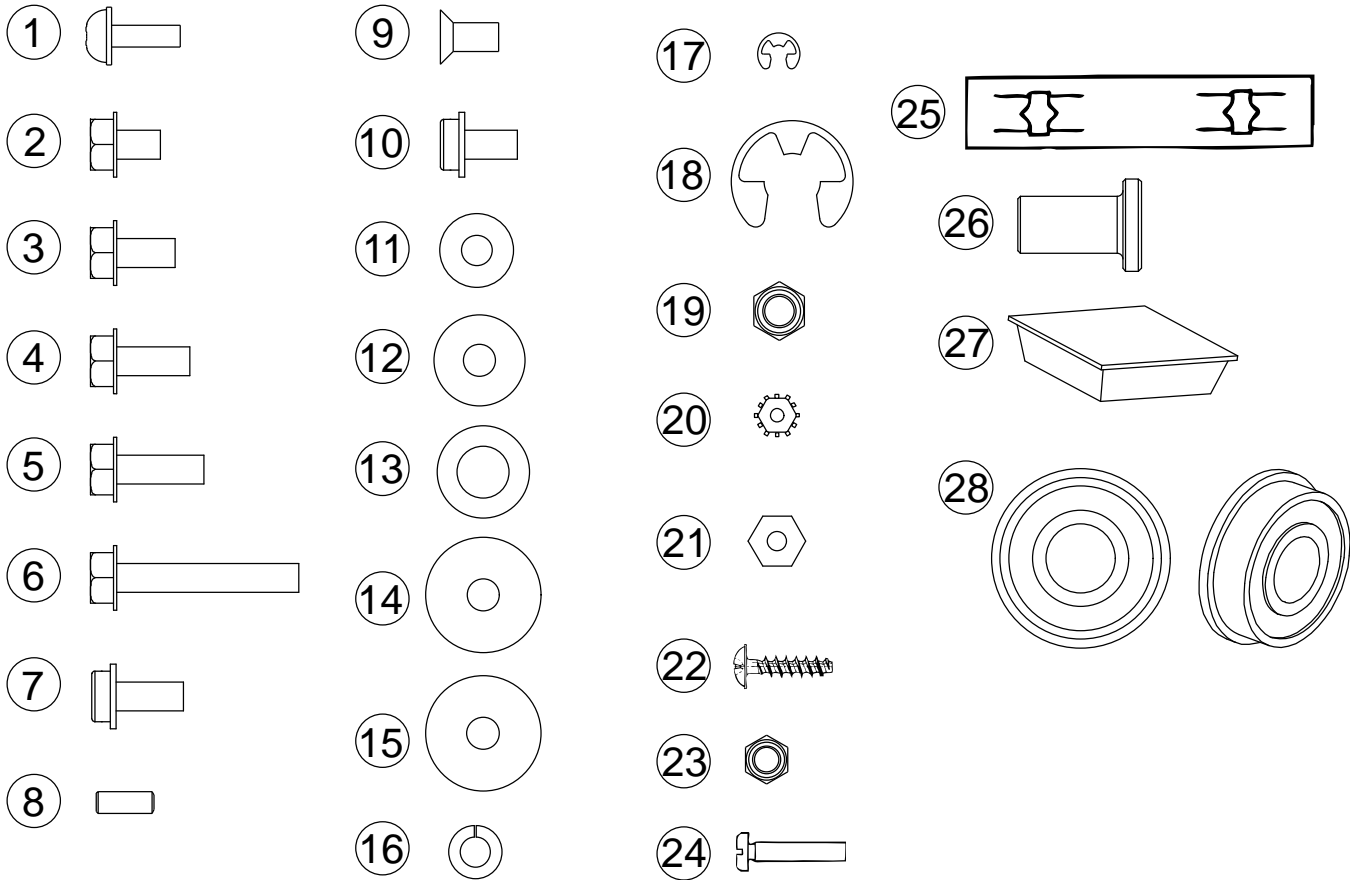
#	Part#	Description	Notes
1	DPO11-5180-01	(1PK) Guide, Ribbon	
2	DPR78-2781-01	Kit, Head Pressure Cam and Spring	
3	DPR78-2782-01	Kit, Media Width Cam	
4	DPR78-2783-01	(2PK) Head Alignment Spring	
5	DPO15-3052-01	Latch Assembly	

Printhead and Cables



#	Part#	Description	Notes
1	PHD20-2278-01	Printhead, Smartchip, 203DPI – I-4212e	
	PHD20-2279-01	Printhead, Smartchip, 300DPI – I-4310e	
	PHD20-2281-01	Printhead, Smartchip, 600DPI – I-4606e	
2	DPO32-2416-01	Printhead Power Cable	
3	DPR32-2675-01	Printhead Data Cable	
4	DPR32-2433-02	Option Port Cable	
5	DPO32-2459-01	Main Logic Data Cable	
6	DPO32-2458-01	Main Logic to Power Supply Cable	

Hardware and Small Parts

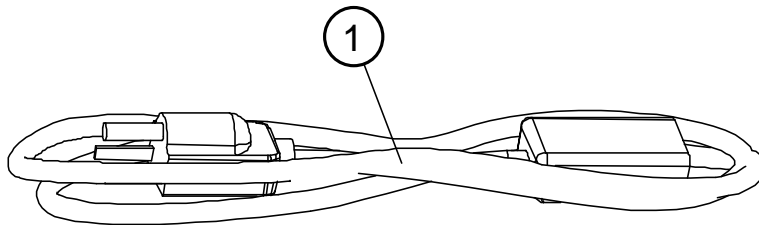


#	Part#	Description
1	DPO130939	(25PK) Screw, M3X.5
2	DPO10-2903-01	(50PK) Screw, M4x6, PHD
3	DPO10-2903-02	(50PK) Screw, M4x8, PHD
4	DPO10-2903-03	(50PK) Screw, M4x10, PHD
5	DPO10-2903-04	(50PK) Screw, M4x12, PHD
6	DPO10-2903-06	(25PK) Screw, M4x25, PHD
7	DPO10-3030-02	(50PK) Screw, M4X16 PHD
8	DPO10-2976-01	(50PK) Set Screw, M3x8
9	DPO10-2998-01	(25PK) Screw, M4x12, FHD
10	DPO10-3030-01	(50PK) Screw, M4x8, PHD
11	DPO17-2869-01	(50PK) WASHER, FLAT, NYLON

#	Part#	Description
12	DPO10-2113-13	(50PK) WASHER, FLAT
13	DPO10-2904-01	(50PK) WASHER, FLAT NYLON, .50 X .281
14	DPO10-3152-01	(5PK) Washer, .175 IDX.626 OD X.062T
15	DPO10-2975-01	(25PK) WASHER, FLAT,
16	DPO10-0526-01	(50PK) WASHER, #8, Split-Lock,
17	DPO10-0307-01	(50PK)RING, RETAINING, .125D
18	DPO10-0563-01	(50PK) E-Ring, 3/8
19	DPO10-2905-01	(50PK) Nut, Self Locking
20	DPO130944	(50PK) Nut M3 X .5
21	DPO10-2114-01	(50PK) Nut M4,
22	DPO10-3148-01	(25PK) Screw, Oval Pt, M4x8, PHD
23	DPO10-2828-01	(50PK) Nut, Lock, Nylon Insert, M4
24	DPO10-2669-01	(50PK) Screw, Hex Washer, M3x6
25	DPO17-3015-01	(10PK) Fastener, Twin Push-On
26	DPR12-2905-01	(25PK) Post, Idler
27	DPO10-2913-01	(48PK) Foot, Stick-On,
28	DPO17-3028-01	(2PK) Bearing, Flanged

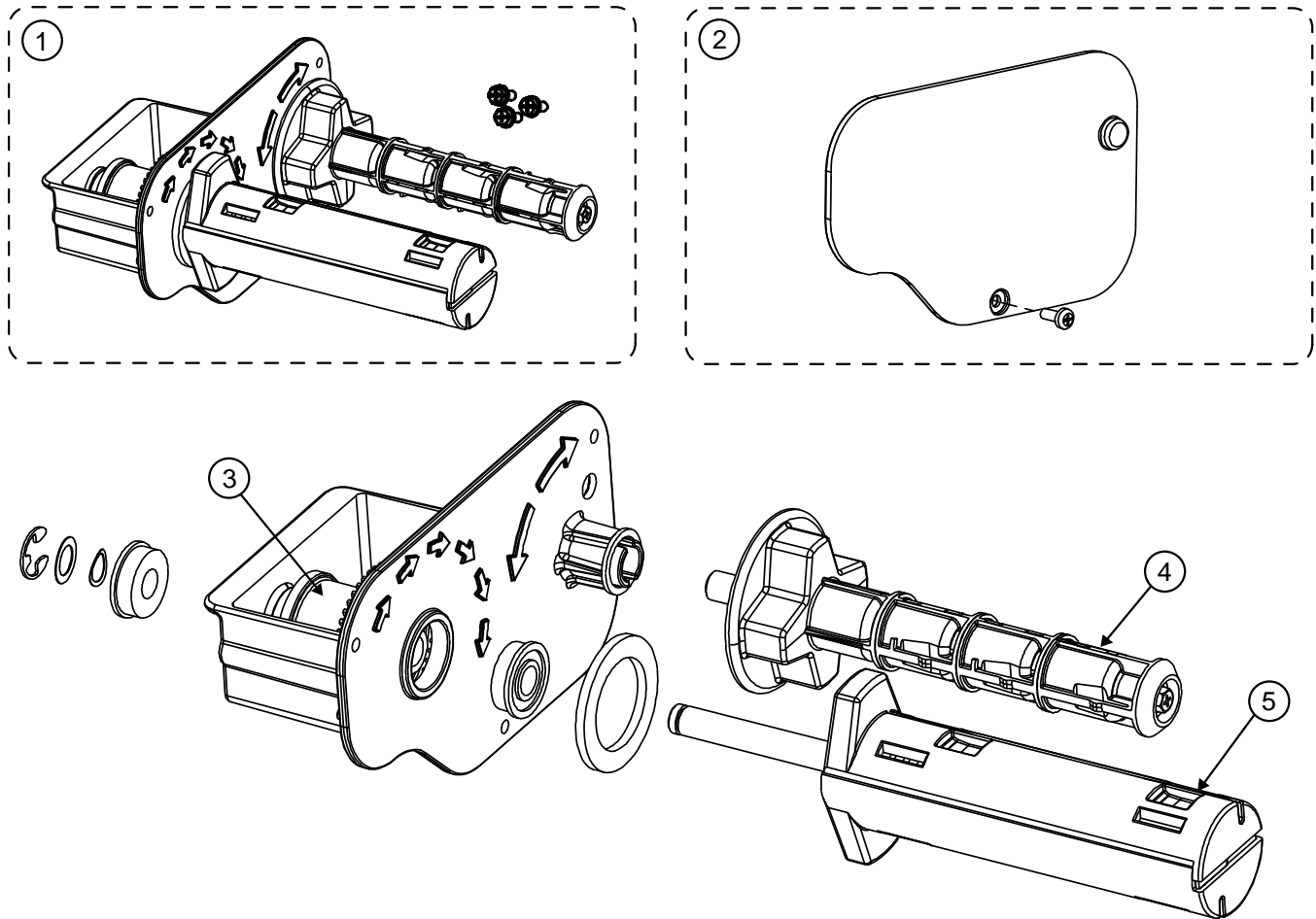
I-Class Mark II Options

Power Supply and Printer Packaging



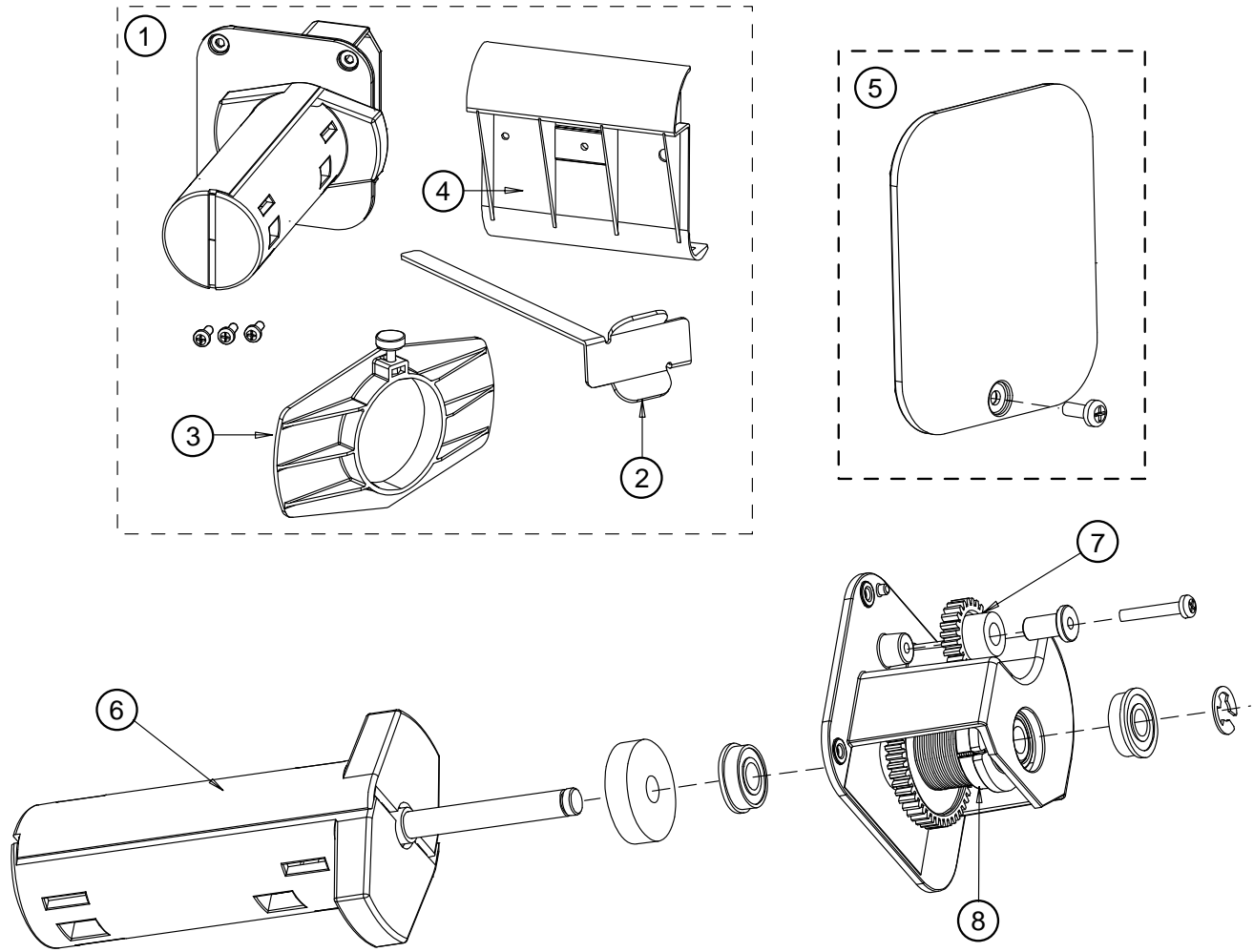
#	Part#	Description	Notes
1	586267	220V: Black Power Cord With Straight-In European Plug	
	32-2025-01	220V: Black Power Cord With 90 Deg British Plug	
	32-2669-01	250V: Black Power Cord With Straight-In Brazil Plug	
	32-2275-01	100V: Black Power Cord With Japanese Plug	
	130063	110V: Black Power Cord With U.S. Plug	
	32-2637-01	220V: Black Power Cord With South Africa Plug	
	32-2375-01	220V: Black Power Cord With Straight-In Swiss Plug	
	32-2488-01	220V: Black Power Cord With Straight-In Australian Plug	
	32-2489-01	220V: Black Power Cord With Straight-In Italian Plug	
	32-2638-01	220V: Black Power Cord With Israel Plug	
	32-2493-01	220V: Black Power Cord With Straight-In Argentinean Plug	
	32-2497-01	220V: Black Power Cord With Straight-In Chinese Plug	
	2	DPO73-2463-01	Packaging and Box, I-Class M2

Thermal Transfer Option



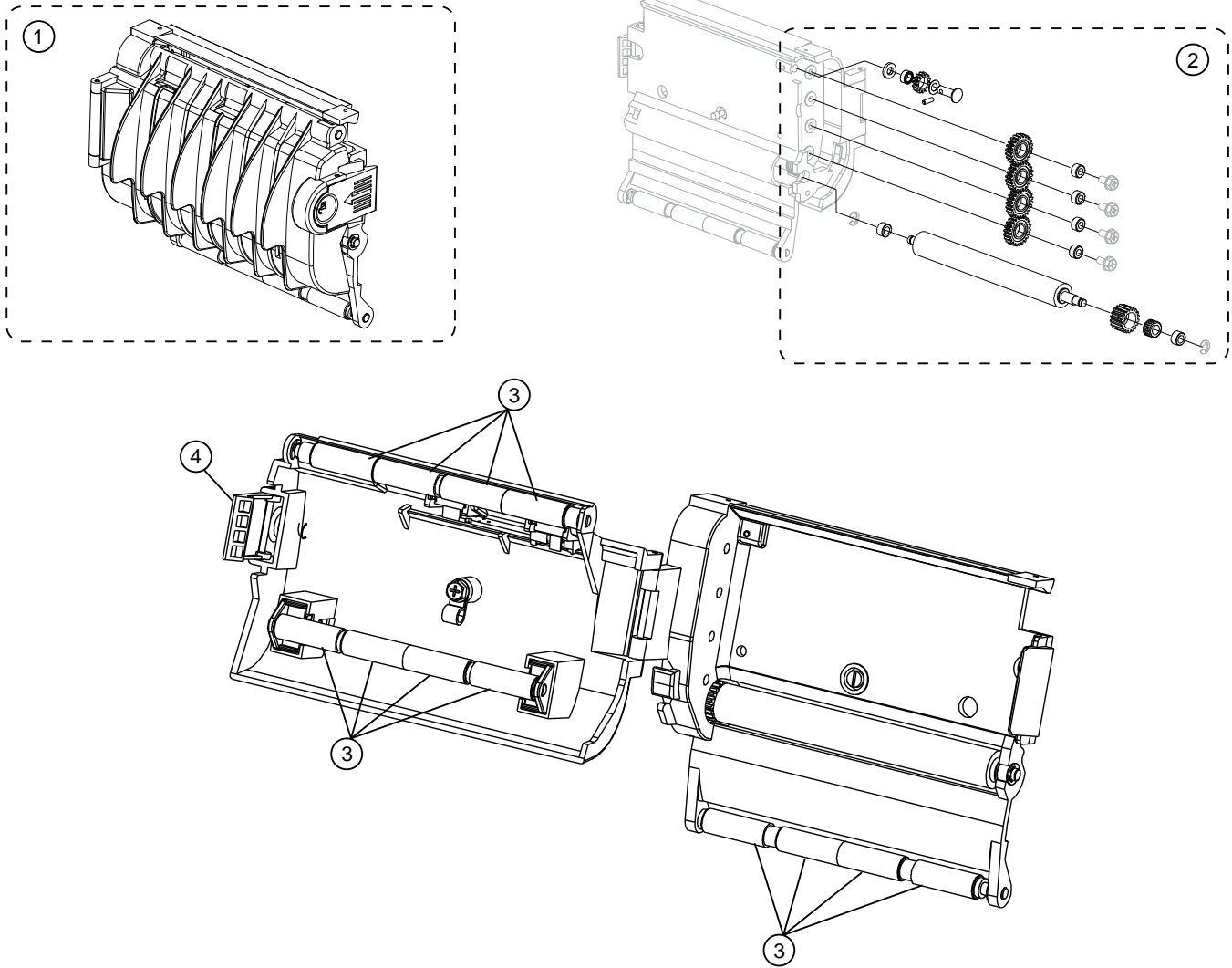
#	Part#	Description	Notes
1	OPT78-2885-01	Thermal Transfer Option, Bi-Directional	
2	DPO78-2892-01	Cover, Direct Thermal	
3	DPR15-2776-21	(2PK) Clutch Assembly, Ribbon Rewind	
4	DPR15-3044-01	Assy, Ribbon Supply Hub, Bi-Directional	
5	DPR15-2840-01	Assy, Take Up Hub	
--	DPO17-3221-01	(4PK) Spring, Torsion - Supply Hub	

Internal Rewind Option



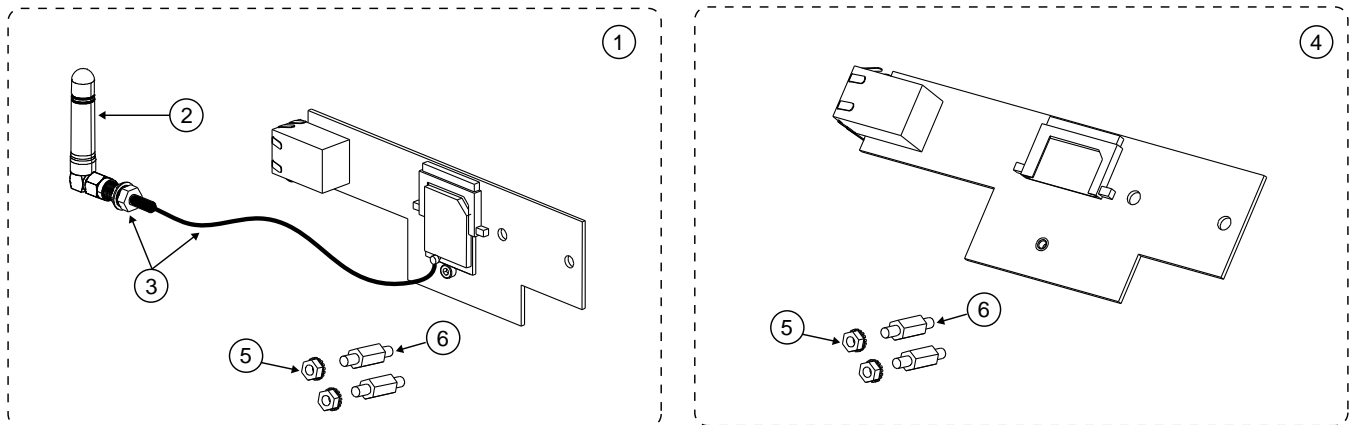
#	Part#	Description	Notes
1	OPT78-2302-01	Internal Rewind Option, I-Class M2	
2	DPO11-5339-01	(2PK) Retainer, Media	
3	DPO15-2864-01	Assy, Media Guide Rewinder	
4	DPO16-2786-01	Bracket Rewind	
5	DPO78-2303-01	Cover, Rewind	
6	DPR15-2764-01	(2PK) Assy, Take Up Hub	
7	DPR17-2860-01	(10) Gear, Spur, 24t	
8	DPR15-2802-41	(2PK) Clutch Assembly, Media Hub	

Peel and Present Option



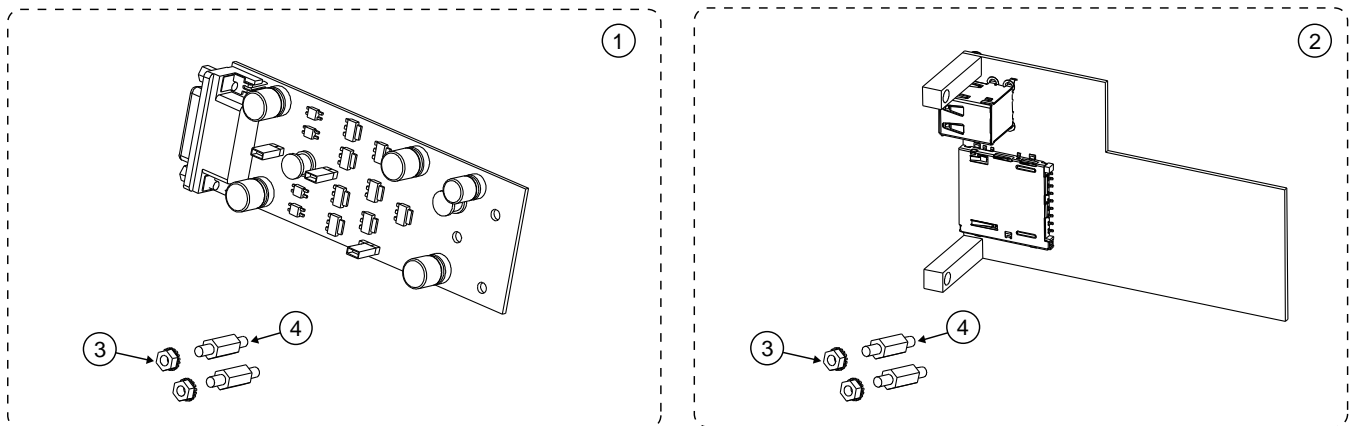
#	Part#	Description	Notes
1	OPT78-2905-01	Peel and Present Option, I-Class M2	
2	DPR78-2903-01	Peel Gear Platen Kit	
3	DPR78-2904-01	Peel Roller Kit	
4	DPR16-2970-01	(2PK) Peel and Present Latch	

Ethernet Card Options



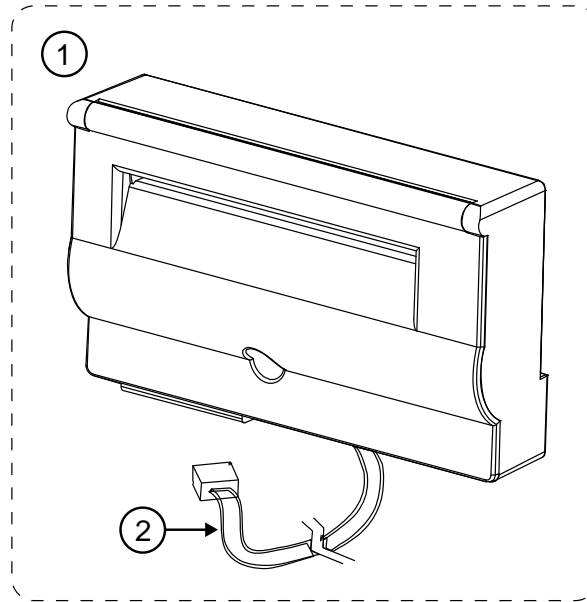
#	Part#	Description	Notes
1	OPT78-2887-02	Wired/Wireless LAN Option	
2	DPO17-3212-02	Antenna, Right Angle	
3	DPR32-2639-01	Cable, Coaxial, SMA/U.FL	
4	OPT78-2887-01	Wired LAN Option	
5	DPO130944	(50PK) Nut M3 X .5	
6	DPO10-3198-01	(10PK) Standoff, M/M, M3 X 0.5, 6mm Hex	

GPIO Card and USB HOST/SDIO Options



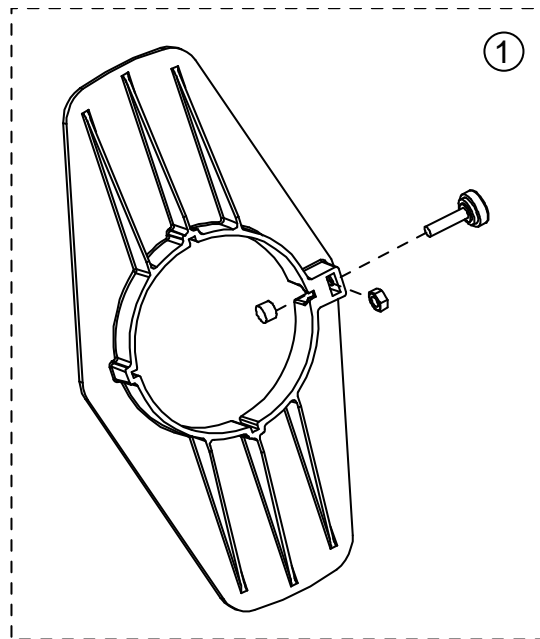
#	Part#	Description	Notes
1	OPT78-2889-01	GPIO Expansion Card Option	
2	OPT78-2888-01	USB Host/SDIO Option	
3	DPO130944	(50PK) Nut M3 X .5	
4	DPO10-3198-01	(10PK) Standoff, M/M, M3 X 0.5, 6mm Hex	

Cutter Option



#	Part#	Description	Notes
1	OPT78-2295-02	Standard Cutter Option	
2	DPO32-2462-01	(5PK) Cutter Cable	
3	DPR51-2283-00	Cutter Board	<i>Not shown</i>

Supply Hub Media Retainer



#	Part#	Description	Notes
1	OPT15-2872-01	Supply Hub Media Retainer Kit	

