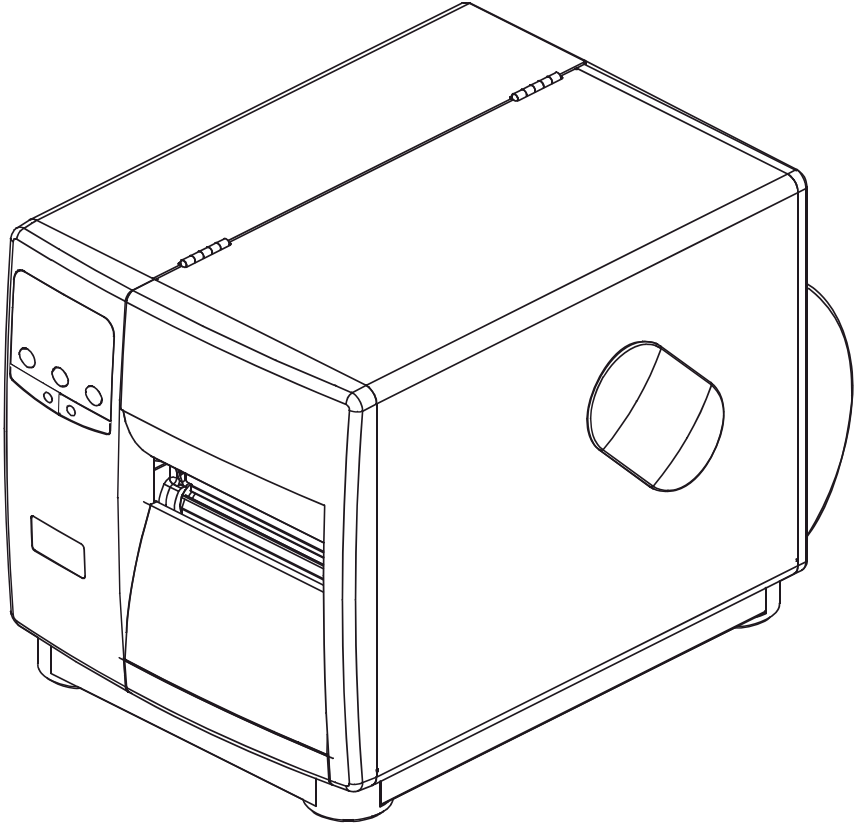


# I-Class™

RFID Media Shelf Option ■■■

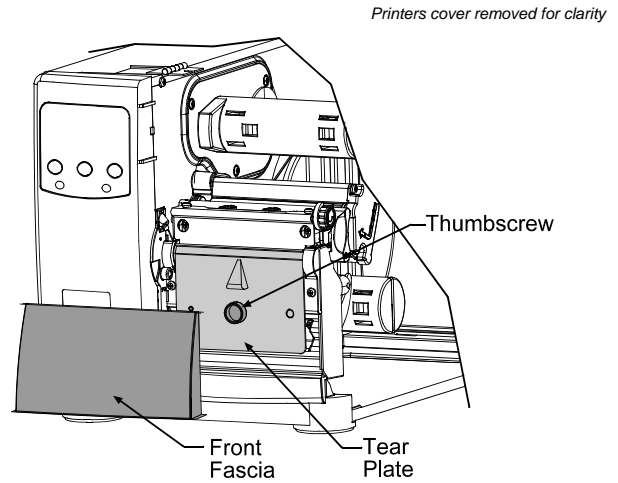


right by our customers. ■■■

datamax·o'neil

## Installation Instructions

- 1 Turn the power off and unplug the printer. Remove any installed media from the printer.
- 2 Open the cover and remove the Front Fascia by gently pulling it from the printer.
- 3 Loosen and remove the Thumbscrew and then remove the Tear Plate



- 4 Position the Media Shelf on the front of the printer.
- 5 Secure with the previously removed Thumbscrew.

