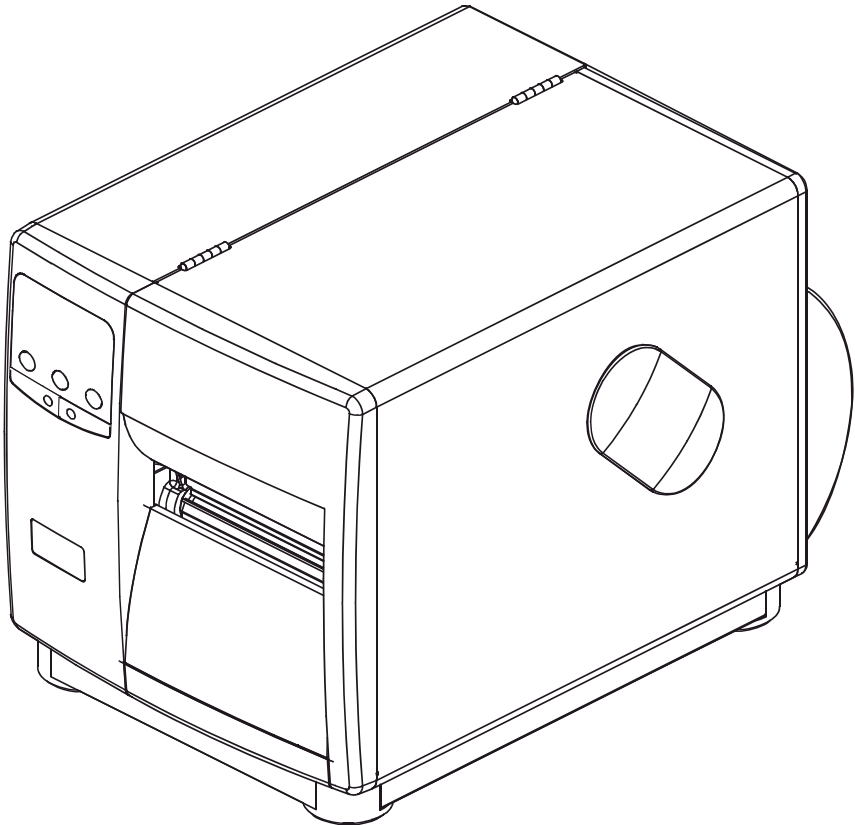


I-Class™

Present Sensor Option ■■■



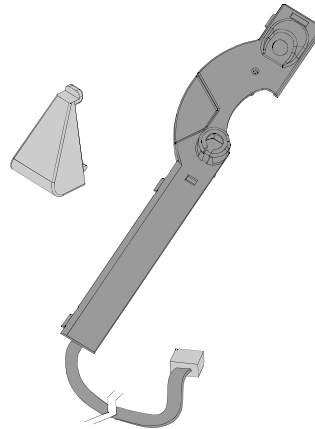
right by our customers. ■■■

datamax·o'neil

Contents of the Present Sensor Kit

This kit contains the following items:

Present Sensor Assembly
Reflective Block

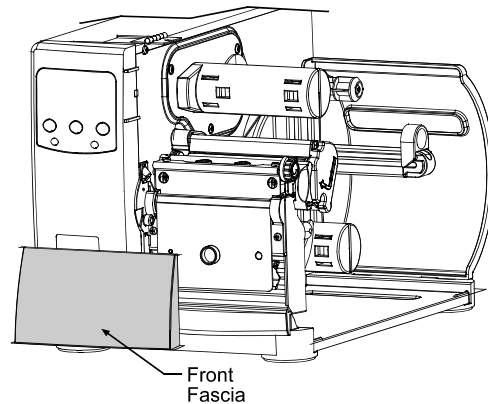


Tools Required

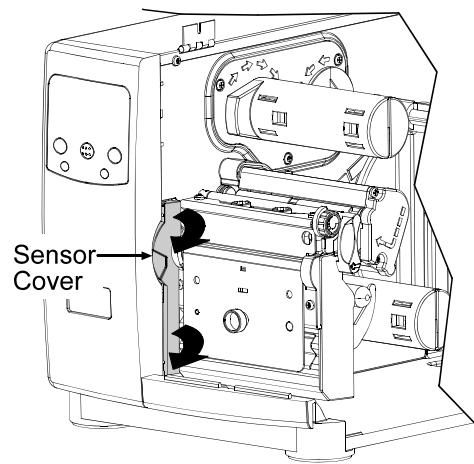
There are no tools required for installing the Present Sensor Option.

Preparing the Printer

- 1 Turn the power off and unplug the printer.
Remove any installed media from the printer.
- 2 Open the cover and remove the Front Fascia by gently pulling it from the printer.

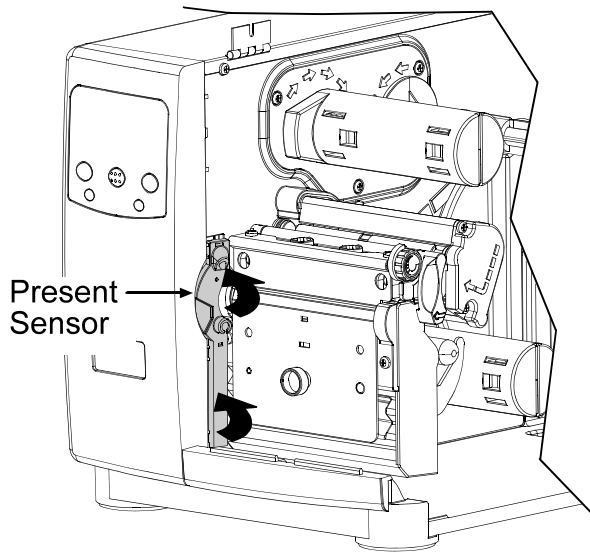


- 3 Remove the Sensor Cover by gently pulling it from the printer in the direction of the arrows as shown.

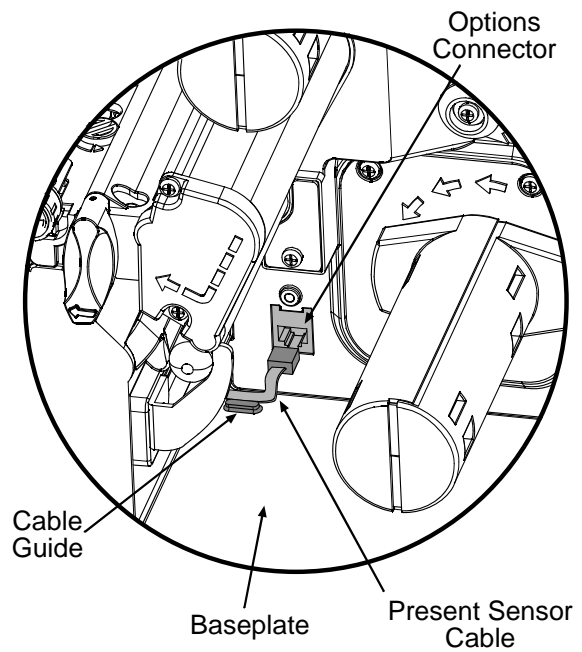


Installing the Present Sensor

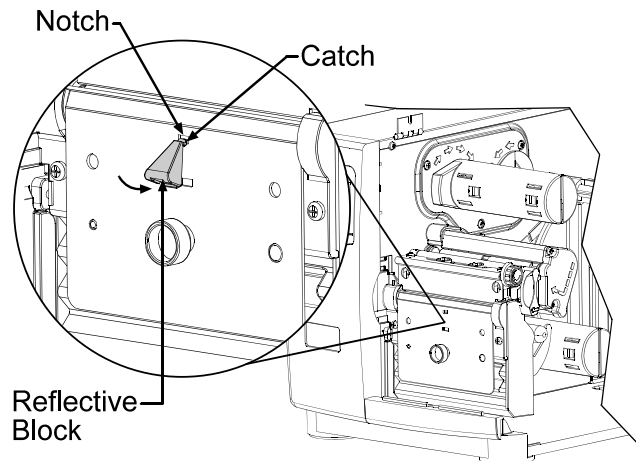
- 1 Position the Present Sensor in the printer as shown and rotate the sensor until it snaps into place



- 2 Route the Present Sensor Cable along the Baseplate and on the inside of the Cable Guide as shown. Plug the end into the Options Connector as shown.







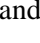

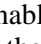



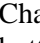
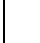
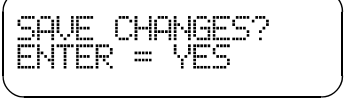


- 3 Install the Reflective Block by inserting the top Catch into the Notch on the Tearplate. Rotate the block downward until it snaps into place.



Setup and Configuration

The printer will automatically sense the presence of the Present Sensor and allow it to be enabled for present printing. If you wish to enable the Present Sensor it must be enabled within the menu system. To 'Enable' or 'Disable' the Present Sensor follow the steps below.

<p>❶ Verify the printer is in the 'Ready Mode'</p>	
<p>❷ Press the  MENU button. Using the  button scroll to 'Printer Options' and press the  button.</p>	
<p>❸ Using the  button scroll to 'Present Sensor' and press the  button.</p>	
<p>❹ Using the  button scroll to either 'Enable' or 'Disable. Press the  button to select the displayed setting, an asterisk will appear to the left of the setting indicating that it is selected.</p>	
<p>❺ Once you have selected the desired setting press the  button repeatedly until the 'Save Changes' message is displayed. Press the  button to save the changes or the  button to discard the changes.</p>	

Note: The use of the present sensor can also be controlled via software commands from the host.

Note: If you are unable to get the present sensor to function, some older I-4212 and I-4308 printers require the main PCB board to be removed and the jumper moved from E2 and E3 to E1 and E2.

