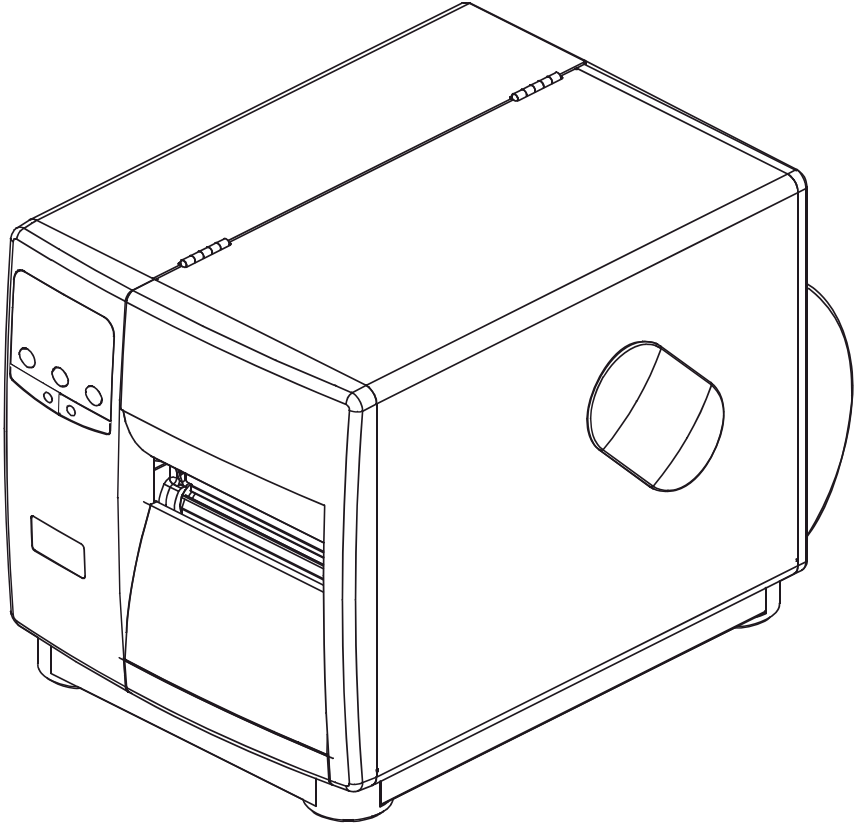


# I-Class™

Twinax/Coax Option ■■■



right by our customers. ■■■

datamax·o'neil

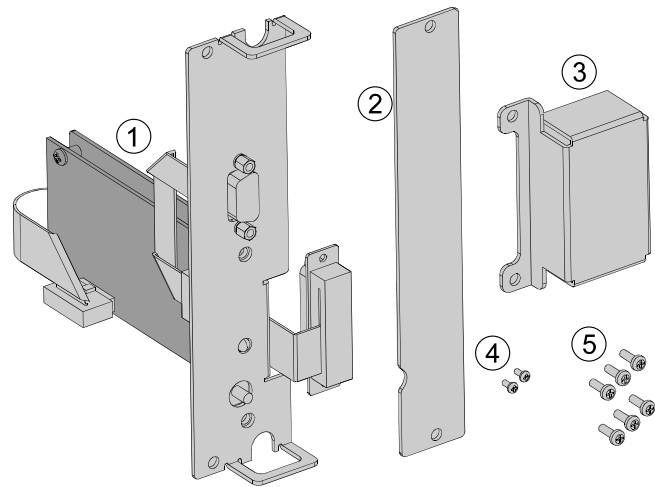


## ***Contents of the Twinax/Coax Interface Kit***

---

Depending on which option you ordered, this kit will contain either a Twinax Interface Cable or a Coax Interface Cable in addition to the following items:

- ① Twinax/Coax Board Assy
- ② Expansion Cover Plate
- ③ Connector Cover
- ④ (2) 4-40 x .25 Screws
- ⑤ (6) M4 x 12 Screws



## ***Tools Required***

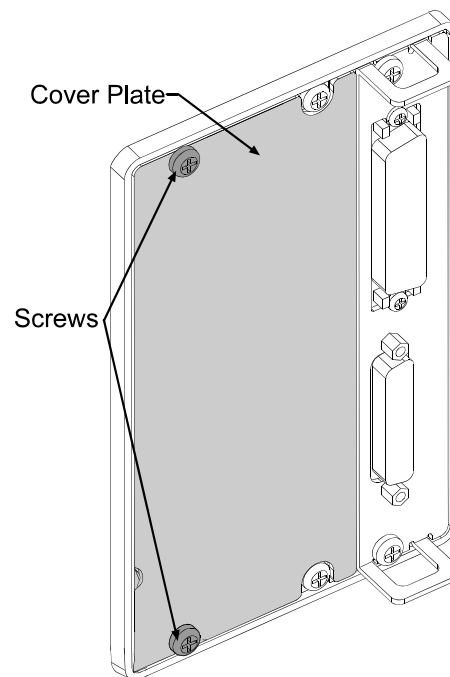
---

The Twinax/Coax Interface Option only requires a #2 Philips screwdriver for installation.

## ***Preparing the Printer***

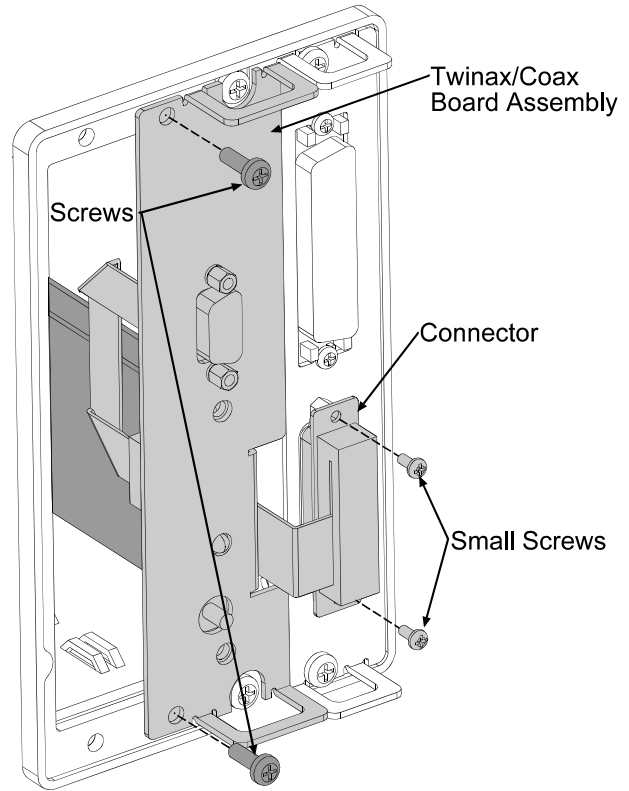
---

- ① Turn the power off and unplug the printer.
- ② Remove the Cover Plate from the printer by removing the two Screws.

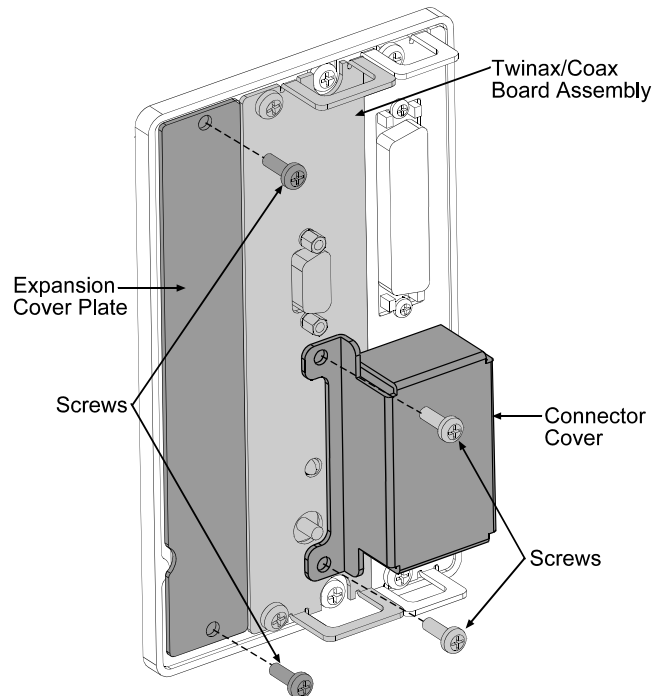


## Installing the Twinax/Coax Interface Assembly

- 1 Slide the Twinax/Coax Board Assembly into the printer until fully seated and secure using the two Screws.
- 2 Slide the Connector from the Twinax/Coax Board Assembly over the printer's serial port connector and secure using the two Small Screws.



- 3 Position the Expansion Cover Plate over the open area on the back of the printer and secure using the two Screws.
- 4 Position the Connector Cover on the Twinax/Coax Board Assembly and secure using the two Screws



## Setup and Configuration

---

Depending on the kit you ordered, connect the 9-pin end of either the Coax or Twinax Interface Cable to the 9-Pin Connector on the back of the Twinax/Coax Board Assembly. Connect the other end to your Twinax or Coax host.

