

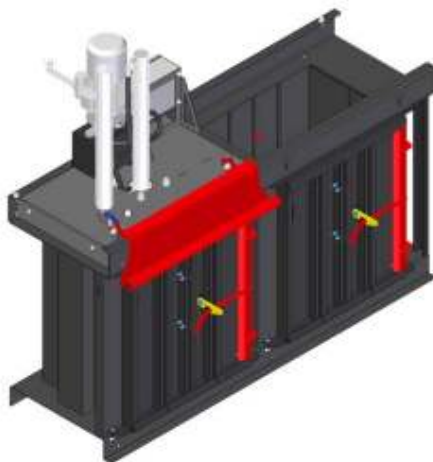
22.12.2021

## EKOPACK 50.2

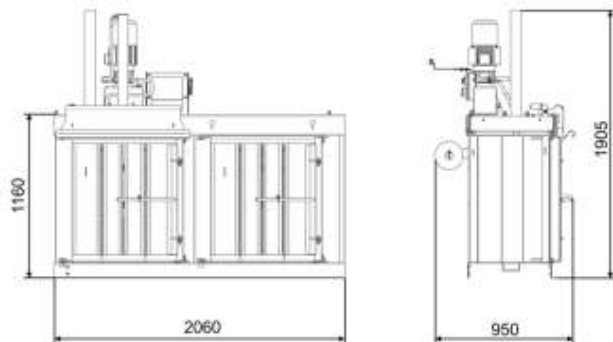
Is **hydraulic** bale press with **pressing power 5 ton**, used in supermarkets, junk centre, stocks, factories, and so on. It is suitable for small, middle and also for big sized companies and for customers

EKOPACK 50.2	
Dimensions of machine (L x W x H)	2060x950x1905 mm
Dimensions of packet (L x W x H)	700 x 500x (300–700) mm
Weight of packet	Max. 100 kg
<b>Max. pressing power</b>	<b>5 t ± 5 %</b>
Surface pressure	121 kPa
Dimensions of pressing chamber (L x W x H)	750 x 550 x 900 mm
Capability of pressing chamber	0,371 m <sup>3</sup>
Type of pressing chamber	otváračia
Number of pressing chambers	2
Number of binding slots	2
Time of pressing cycle	25 s
Input power/voltage	1,5 kW/240V/50Hz
Elec. protection	IP 54
Drive	hydraulický
Weight of the machine	442 kg

Picture: EKOPACK 50.2



Layout: EKOPACK 50.2



Picture: Shipping cart for manipulation with packet for bale press EKOPACK 50.2, EKOPACK 80



Ecopack 50.2 kr. 1.794.000,-

Baggatrilla kr. 29.500,-

Verð eru án vsk.

Tilboð gildir til áramóta 2021 (nýr verðlisti 2022)