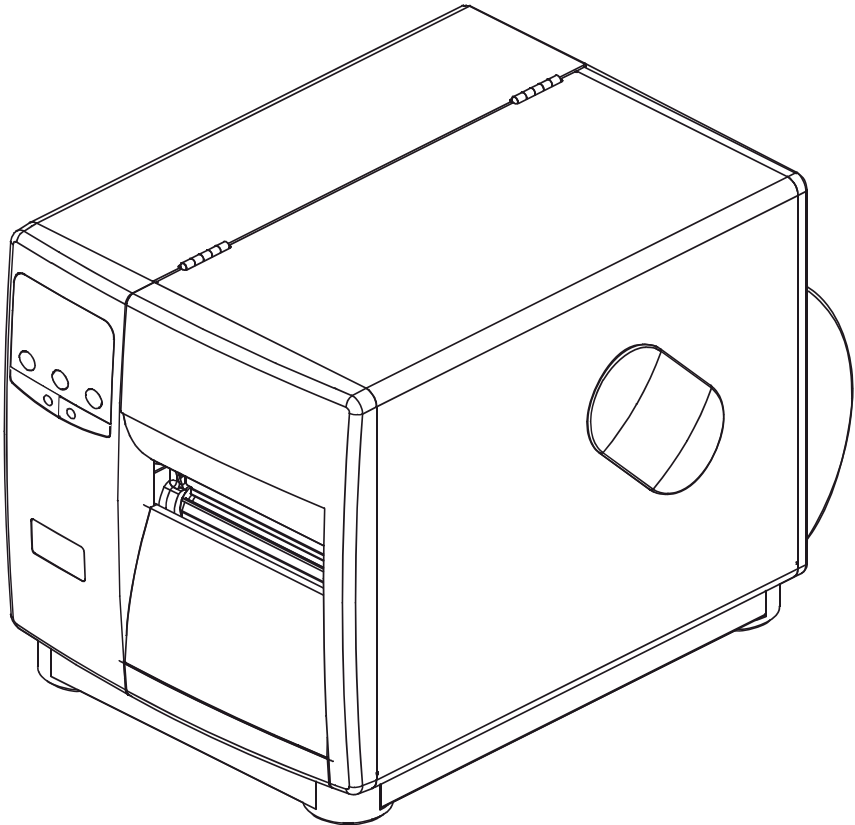


# I-Class™

Thermal Transfer Option ■■■



right by our customers. ■■■

datamax·oneil

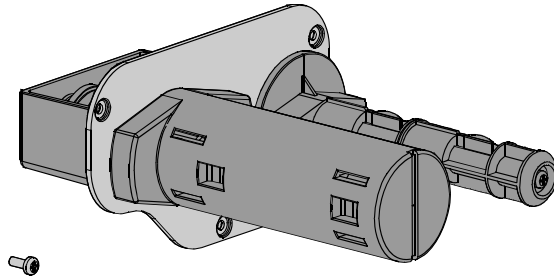


## ***Contents of the Thermal Transfer Kit***

---

This kit contains the following items:

Thermal Transfer Assembly  
(3) Screws



## ***Tools Required***

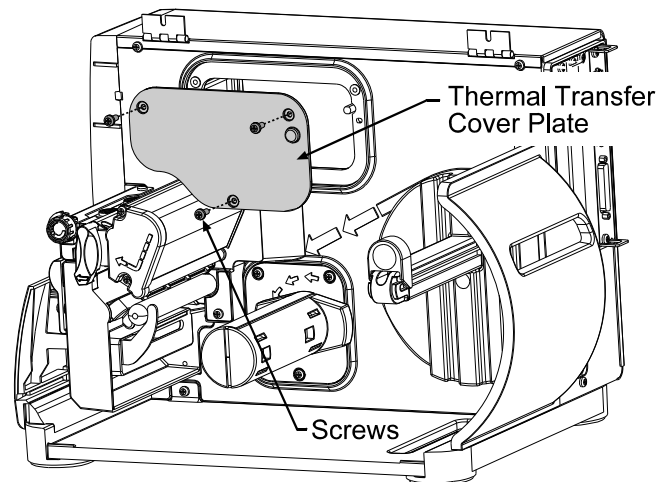
---

The Thermal Transfer Option only requires a #2 Phillips head screwdriver for installation.

## ***Preparing the Printer***

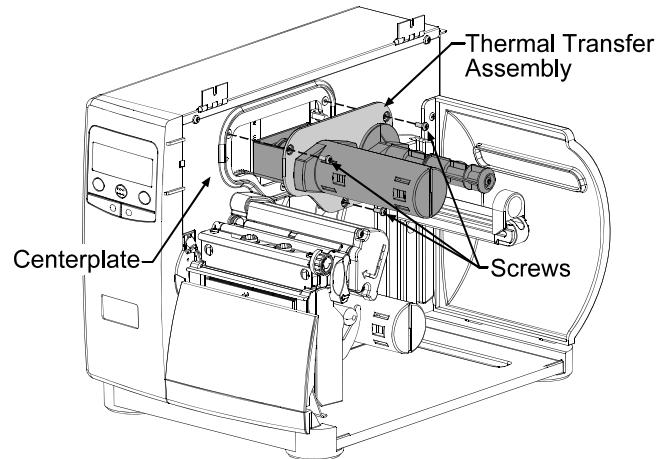
---

- ❶ Turn the power off and unplug the printer.  
Remove any installed media from the printer.
- ❷ Open the cover and remove the Screws and the Thermal Transfer Cover Plate.



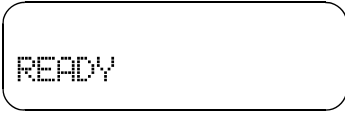






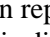
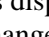

## Installing the Thermal Transfer Assembly

- 1 Position the Thermal Transfer Assembly in the printer as shown and secure using the three provided Screws.



## Setup and Configuration

In order to use thermal transfer printing the printer must be loaded with ribbon and the 'Select Media Type' menu function must be set to 'Ribbon Transfer'. For proper loading of ribbon see the 'Ribbon Loading' instructions in the Operator's Manual. Follow the steps below to set the printer to 'Ribbon Transfer'.

<ol style="list-style-type: none"> <li>1 Verify the printer is in the 'Ready Mode'</li> </ol>	
<ol style="list-style-type: none"> <li>2 Press the  MENU button. The 'Select Media Type' menu function should be displayed, press the  button.</li> </ol>	
<ol style="list-style-type: none"> <li>3 Using the  button scroll to 'Ribbon Transfer'. Press the  button to select the displayed setting, an asterisk will appear to the left of the setting indicating that it is selected.</li> </ol>	
<ol style="list-style-type: none"> <li>4 Once you have selected the desired setting press the  button repeatedly until the 'Save Changes' message is displayed. Press the  button to save the changes or the  button to discard the changes.</li> </ol>	